

Point Style



Nut Setter(6P)



Hexagon



Adapter



Nut Setter(12P)



Hex-wave



XZN



Nut Setter(SF)



External Hex-wave



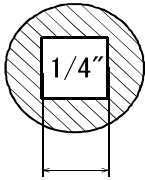
Nut Setter(FL)



For Stud Bolts

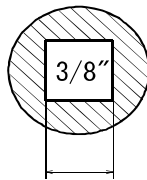
Drive Size

OS-2



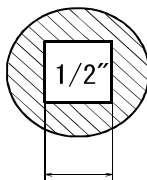
6. 35mm

OS-3



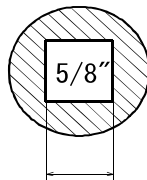
9. 52mm

OS-4



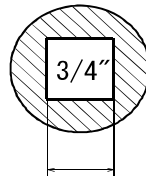
12. 7mm

OS-5



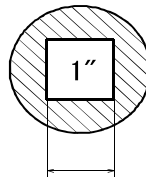
15. 88mm

OS-6



19. 05mm

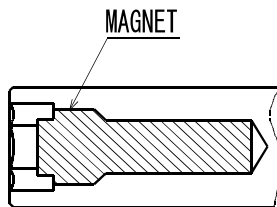
OS-8



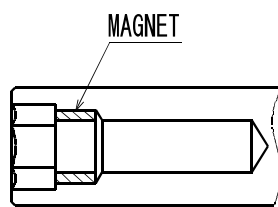
25. 4mm

Magnet

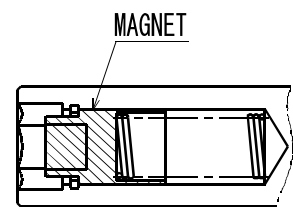
MAG(Fixed Magnet)



MR(Magnet Ring)



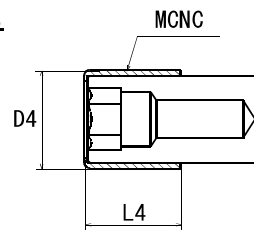
SM(Slide Magnet)



MCNC(Nylon Cover)

For preventing the work from getting damage on work.

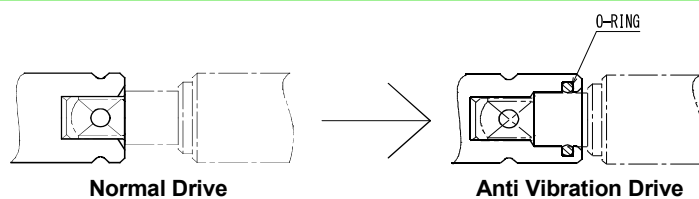
*Color would be blue or white.



Anti Vibration

For improving torque transmission.

For reducing vibration.



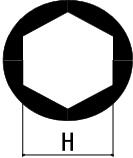
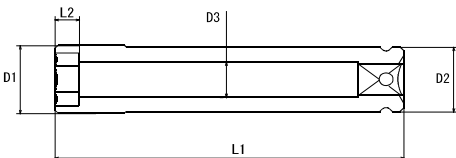
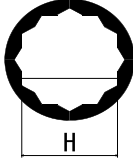
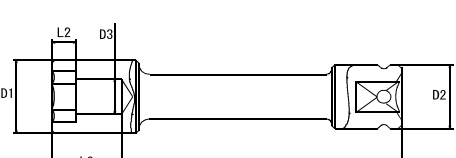
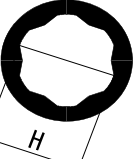
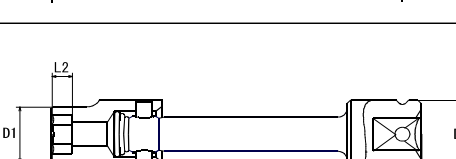
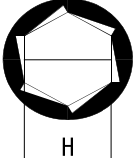
*We need model No.of tool for manufacturing.

OHMI Special Sockets Quotation Worksheet

Company : _____
 Address : _____
 Quantity(Pcs) : _____

Person in charge : _____
 E-mail : _____
 Tel : _____

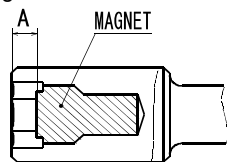
Nut Setter

<input type="checkbox"/> 6P 	<input type="checkbox"/> DE 	<p>Drive Size</p> <input type="checkbox"/> OS-2 (1/4"=Sq 6.35mm) <input type="checkbox"/> OS-3 (3/8"=Sq 9.52mm) <input type="checkbox"/> OS-4 (1/2"=Sq 12.7mm) <input type="checkbox"/> OS-5 (5/8"=Sq 15.88mm) <input type="checkbox"/> OS-6 (3/4"=Sq 19.05mm) <input type="checkbox"/> OS-8 (1"=Sq 25.4mm)																		
<input type="checkbox"/> 12P 	<input type="checkbox"/> EX 																			
<input type="checkbox"/> SF 	<input type="checkbox"/> UN 																			
<input type="checkbox"/> FL 	<p>Extra Request</p> <input type="checkbox"/> MCNC <input type="checkbox"/> Anti Vibration Model No. of tool : _____ <input type="checkbox"/> MAG(Fixed Magnet) *Please refer to P95(A size). <input type="checkbox"/> MR(Magnet Ring) <input type="checkbox"/> SM(Slide Magnet)																			
<table border="1" style="width: 100%; border-collapse: collapse; text-align: center;"> <tr style="background-color: #90EE90;"> <th>H (mm)</th> <th>L2 (mm)</th> <th>D1 (mm)</th> <th>D3 (mm)</th> <th>L3 (mm)</th> <th>D2 (mm)</th> <th>L1 (mm)</th> <th>D4(MCNC) (mm)</th> <th>L4(MCNC) (mm)</th> </tr> <tr> <td> </td> <td> </td> <td> </td> <td> </td> <td> </td> <td> </td> <td> </td> <td> </td> <td> </td> </tr> </table>		H (mm)	L2 (mm)	D1 (mm)	D3 (mm)	L3 (mm)	D2 (mm)	L1 (mm)	D4(MCNC) (mm)	L4(MCNC) (mm)										
H (mm)	L2 (mm)	D1 (mm)	D3 (mm)	L3 (mm)	D2 (mm)	L1 (mm)	D4(MCNC) (mm)	L4(MCNC) (mm)												

*Please fill out blanks, other dimensions which there is no instruction will be our specification.

...A size...

We need A size for manufacturing Nut setter and External Hex-wave with Fixed Magnet.

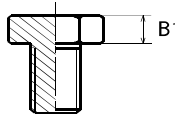
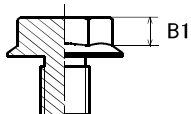
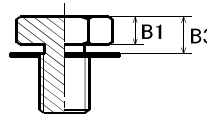
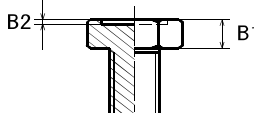
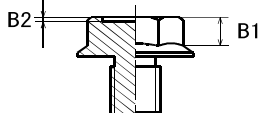
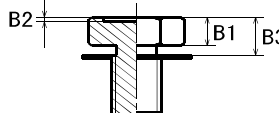


Please fill out blanks.

We will set the best A size based on their information.

*There are cases we request sample bolts.

Bolts shape No.	B1 (mm)	B2 (mm)	B3 (mm)

List of Bolts Shape		
1	2	3
		
4	5	6
		

Screw Driver Bits

Impact Sockets

Accessories

Point Size Selector

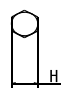
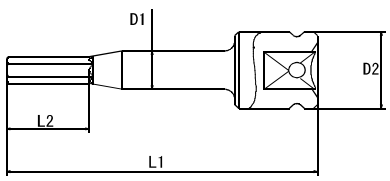
Special Sockets Quotation Worksheet

Screw Driver Bits

Company : _____
 Address : _____
 Quantity(Pcs) : _____

Person in charge : _____
 E-mail : _____
 Tel : _____


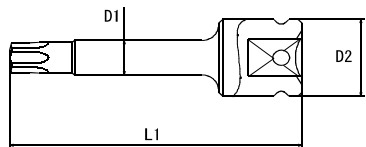
 **Hexagon**

		Drive Size <input type="checkbox"/> OS-5 (5/8"=Sq15.88mm) <input type="checkbox"/> OS-2 (1/4"=Sq6.35mm) <input type="checkbox"/> OS-6 (3/4"=Sq19.05mm) <input type="checkbox"/> OS-3 (3/8"=Sq9.52mm) <input type="checkbox"/> OS-8 (1"=Sq25.4mm) <input type="checkbox"/> OS-4 (1/2"=Sq12.7mm)			
H (mm)	L2 (mm)	D1 (mm)	D2 (mm)	L1 (mm)	Extra Request <input type="checkbox"/> Anti Vibration Model No.of tool :

*Please fill out blanks, other dimensions which there is no instruction will be our specification.


Impact Sockets

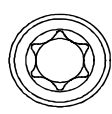
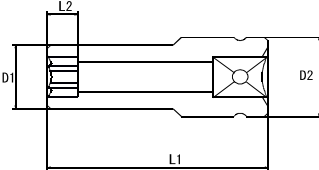
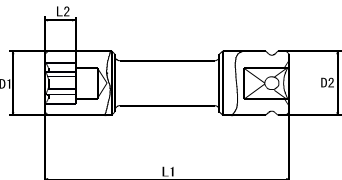
 **Hex-wave**

		Drive Size <input type="checkbox"/> OS-5 (5/8"=Sq15.88mm) <input type="checkbox"/> OS-2 (1/4"=Sq6.35mm) <input type="checkbox"/> OS-6 (3/4"=Sq19.05mm) <input type="checkbox"/> OS-3 (3/8"=Sq9.52mm) <input type="checkbox"/> OS-8 (1"=Sq25.4mm) <input type="checkbox"/> OS-4 (1/2"=Sq12.7mm)		
Point Size	D1 (mm)	D2 (mm)	L1 (mm)	Extra Request <input type="checkbox"/> Anti Vibration Model No.of tool :

*Please fill out blanks, other dimensions which there is no instruction will be our specification.

Accessories

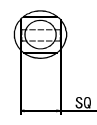
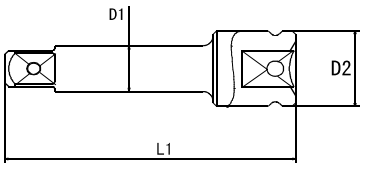
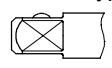
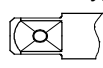
 **External Hex-wave**

	<input type="checkbox"/> DE		Drive Size <input type="checkbox"/> OS-2 (1/4"=Sq 6.35mm) <input type="checkbox"/> OS-3 (3/8"=Sq 9.52mm) <input type="checkbox"/> OS-4 (1/2"=Sq 12.7mm) <input type="checkbox"/> OS-5 (5/8"=Sq 15.88mm) <input type="checkbox"/> OS-6 (3/4"=Sq 19.05mm) <input type="checkbox"/> OS-8 (1"=Sq 25.4mm)					
	<input type="checkbox"/> EX							
Point Size	L2 (mm)	D1 (mm)	D2 (mm)	L1 (mm)	D4(MCNC) (mm)	L4(MCNC) (mm)	Extra Request <input type="checkbox"/> MAG <input type="checkbox"/> MCNC *Please refer to P95(A size).	<input type="checkbox"/> Anti Vibration Model No. of tool :

*Please fill out blanks, other dimensions which there is no instruction will be our specification.

Point Size Selector

 **Adapter**

		Drive Size <input type="checkbox"/> OS-5 (5/8"=Sq15.88mm) <input type="checkbox"/> OS-2 (1/4"=Sq6.35mm) <input type="checkbox"/> OS-6 (3/4"=Sq19.05mm) <input type="checkbox"/> OS-3 (3/8"=Sq9.52mm) <input type="checkbox"/> OS-8 (1"=Sq25.4mm) <input type="checkbox"/> OS-4 (1/2"=Sq12.7mm)				
<input type="checkbox"/> Ball lock type 	<input type="checkbox"/> Pin lock type 	SQ (mm)	D1 (mm)	D2 (mm)	L1 (mm)	Extra Request <input type="checkbox"/> Anti Vibration Model No.of tool :

*Please fill out blanks, other dimensions which there is no instruction will be our specification.

